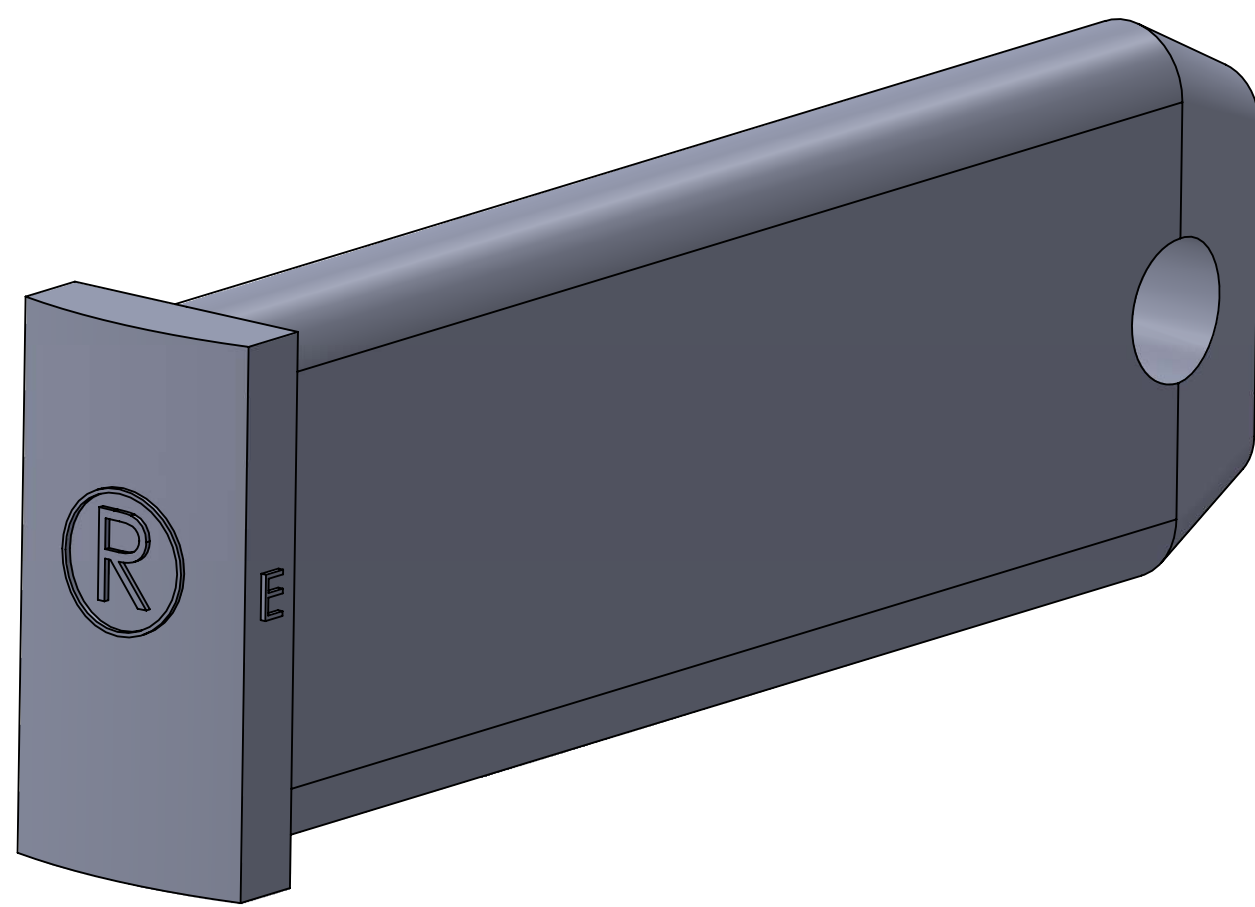
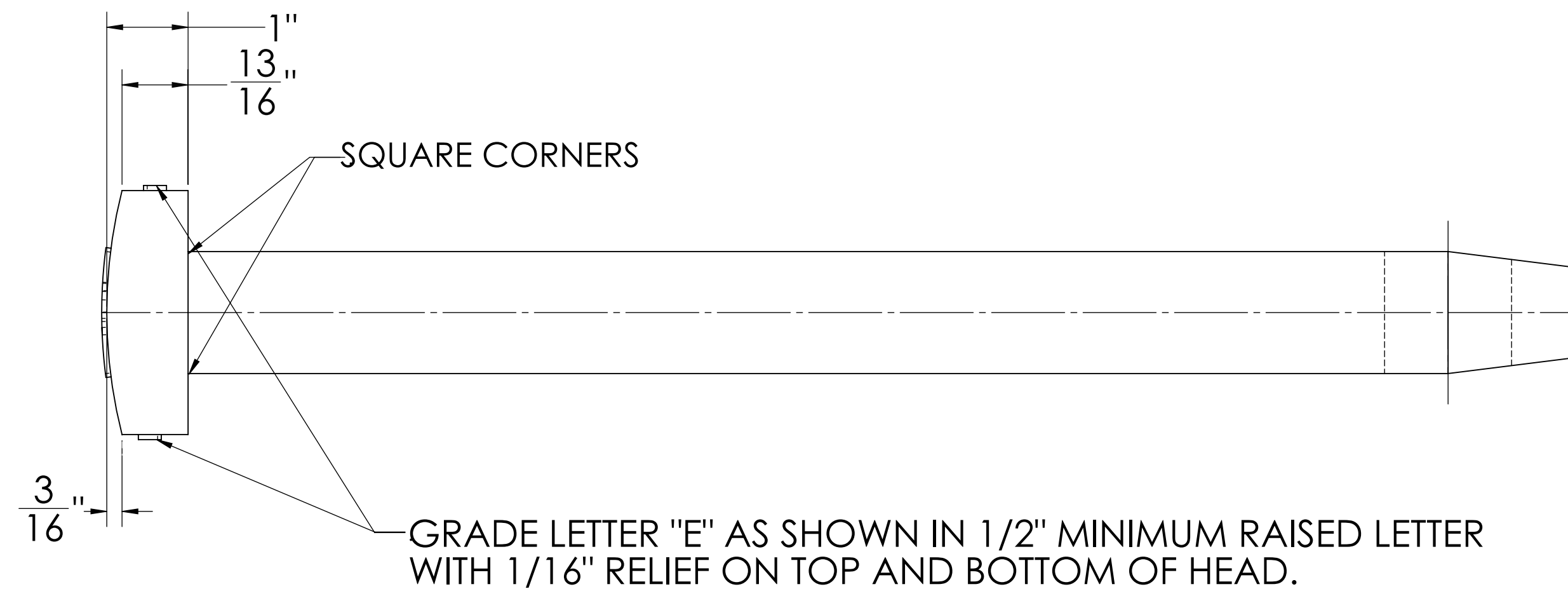


MANUFACTURERS TRADEMARK IN 1" HEIGHT, RAISED LETTERS (1/16" MIN).



"A" (in.)	PART NO	WEIGHT (lbs)	MATERIAL SPECIFICATION
15.5		46.5	AAR S-121 SPEC, LATEST REVISION A576 C1050, QUENCH & TEMPERED TO BHN 262-302
16		47.0	
16.5	R10817	47.9	
17	R10818	48.8	
17.5	R10819	49.7	
17.75	R10820	50.3	
18	R10821	50.8	
18.5		52.1	
18.75	R10822	52.7	
19	R10823	53.3	
19.5		54.6	
19.75	R10824	55.0	
20	R10825	55.8	

NOTES:

MEETS AAR STD S-121 LATEST VERSION.

TOLERANCES $\pm 1/16"$ UNLESS OTHERWISE STATED.

HARDNESS TESTING:

HARDNESS DETERMINATION MAY BE MADE AT ANY CONVENIENT LOCATION ON THE DRAFT KEY, PROVIDING IT IS AT LEAST 1" FROM THE ENDS AND THE TEST SURFACE IS GROUND OFF TO A MINIMUM DEPTH OF 1/32" TO GIVE TRUE HARDNESS INDICATION.

TEN PERCENT BRINELL HARDNESS TESTING IS REQUIRED FOR ORDERED LOTS OF KEYS. ANY UNACCEPTABLE KEYS FOUND WILL NECESSITATE TESTING OF ALL REMAINING UNTESTED KEYS IN THAT PURCHASE ORDER.

DRAWING TOLERANCES UNLESS OTHERWISE SPECIFIED. DECIMAL DIMENSIONS: ANGULAR DIMENSIONS $\pm 1^\circ$ ALL DIMENSIONS ARE IN INCHES THIS PRINT IS THE PROPERTY OF RONSCO INC. UNAUTHORIZED REPRODUCTION IS STRICTLY PROHIBITED. DRAWING MUST BE RETURNED ON REQUEST				
REV	DESCRIPTION	BY	DATE	APPD
	DRAWN...CK..... DATE...DEC 01 2015	DSG	APPD...GB..... DATE...DEC 03 2015	
	CHKD..... DATE.....	APPROVED.....	DATE.....	
RONSCO INC.				
DRAFT KEY				
SIZE D	DRG. NO. F-0393			REV